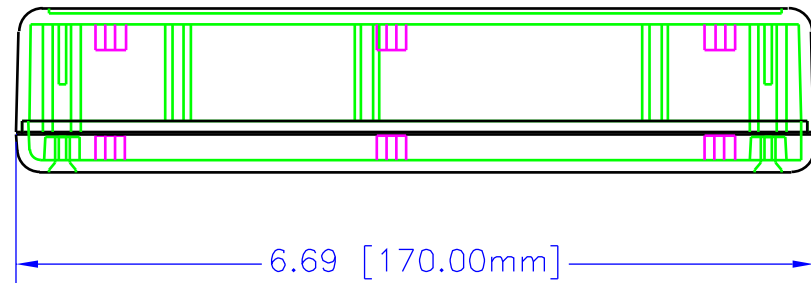
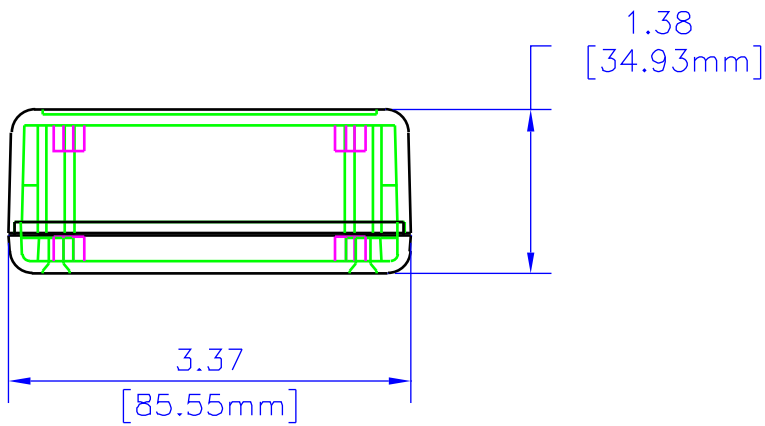
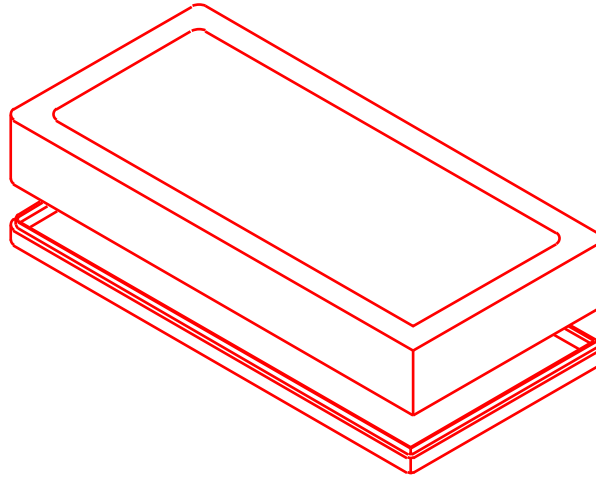


REV	DESCRIPTION	DATE

## NOTES

- MATERIAL** (ABS) FLAME RETARDANT UL94 VO MATERIAL WITH BRASS INSERTS IN CORNER POSTS.  
(STYRENE) IS NON-FLAME RETARDANT WITHOUT BRASS INSERTS.
- PARTS** (ABS) VERSION MACHINE SCREWS M3-0.5 x 10mm.  
REPLACEMENT PN 1591MS100 (100 / BAG). (STYRENE) VERSION SELF TAPPING #4 x 0.5".  
REPLACEMENT PN 1591TS100 (100 / BAG).
- COLORS** (ABS) BLACK, & GRAY, (STYRENE) GRAY ONLY.



ASSEMBLED

UNLESS OTHERWISE SPECIFIED  
DIMENSIONS ARE IN INCHES.  
X +/- .1  
XX +/- .02  
XXX +/- .015  
CHITS +/- .005  
ANGLES +/- .5 DEG

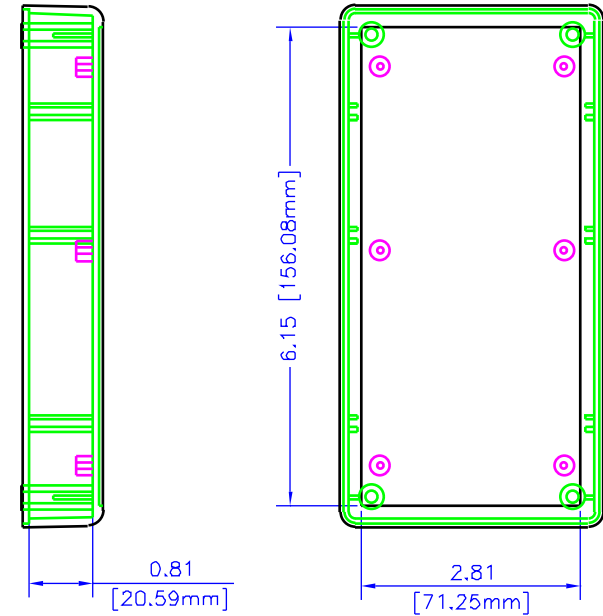
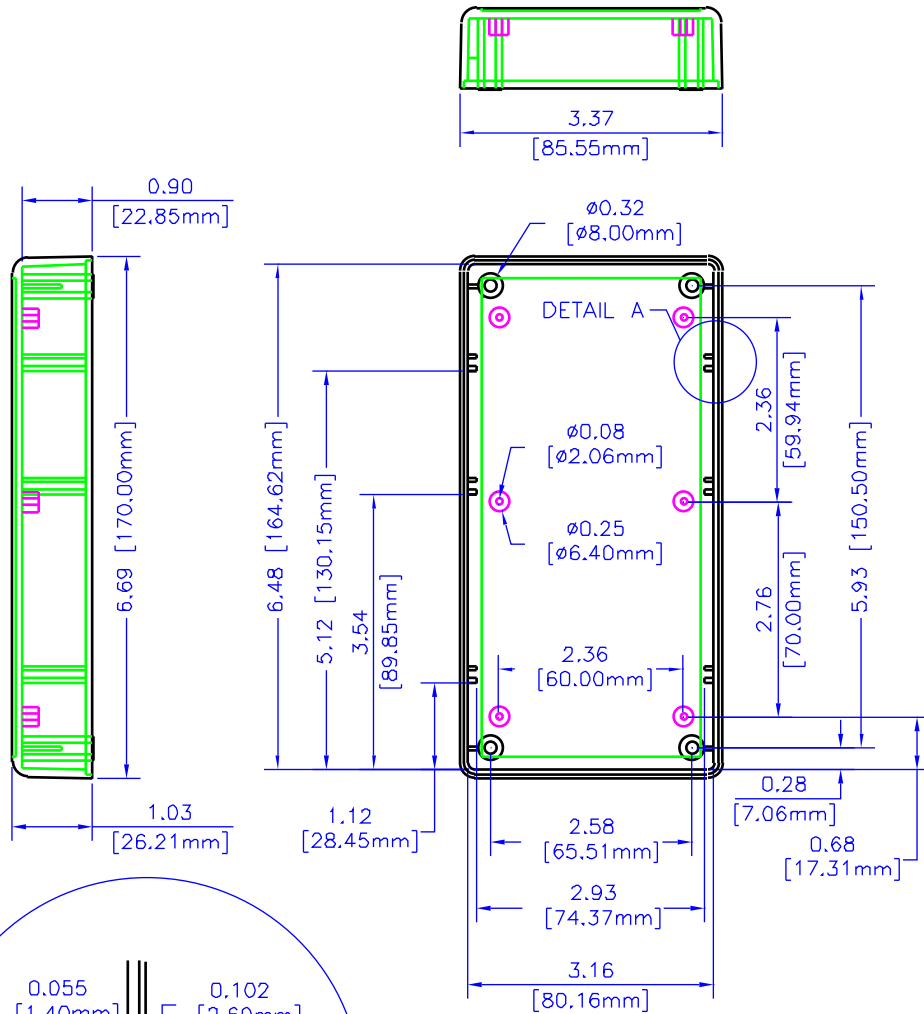
NOTICE  
HAMMOND CLAIMS PROPRIETARY RIGHTS TO THE MATERIAL ON THIS DRAWING. IT IS INTENDED TO BE USED AS A REFERENCE FOR ENGINEERING INFORMATION ONLY. THIS INFORMATION MAY NOT BE USED TO MANUFACTURE PRODUCTS WITHOUT WRITTEN PERMISSION FROM HAMMOND MANUFACTURING.



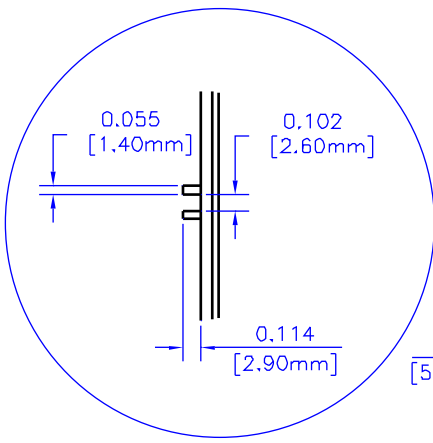
**HAMMOND  
MANUFACTURING**

WEB: [WWW.HAMMONDMFG.COM](http://WWW.HAMMONDMFG.COM)

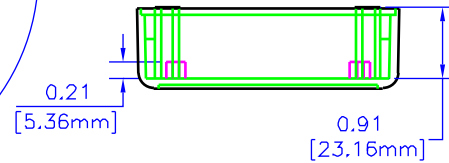
TITLE HAMMOND 1599 SERIES PLASTIC ENCLOSURE	
DRAWN BY MJM	DATE 08/16/01
SCALE	PAGE 1 OF 3
PART NUMBER 1599E	



BOX



DETAIL A



UNLESS OTHERWISE SPECIFIED  
DIMENSIONS ARE IN INCHES  
X +/- .1  
XX +/- .03  
XXX +/- .015  
CLIPS +/- .005  
ANGLES +/- 5 DEG

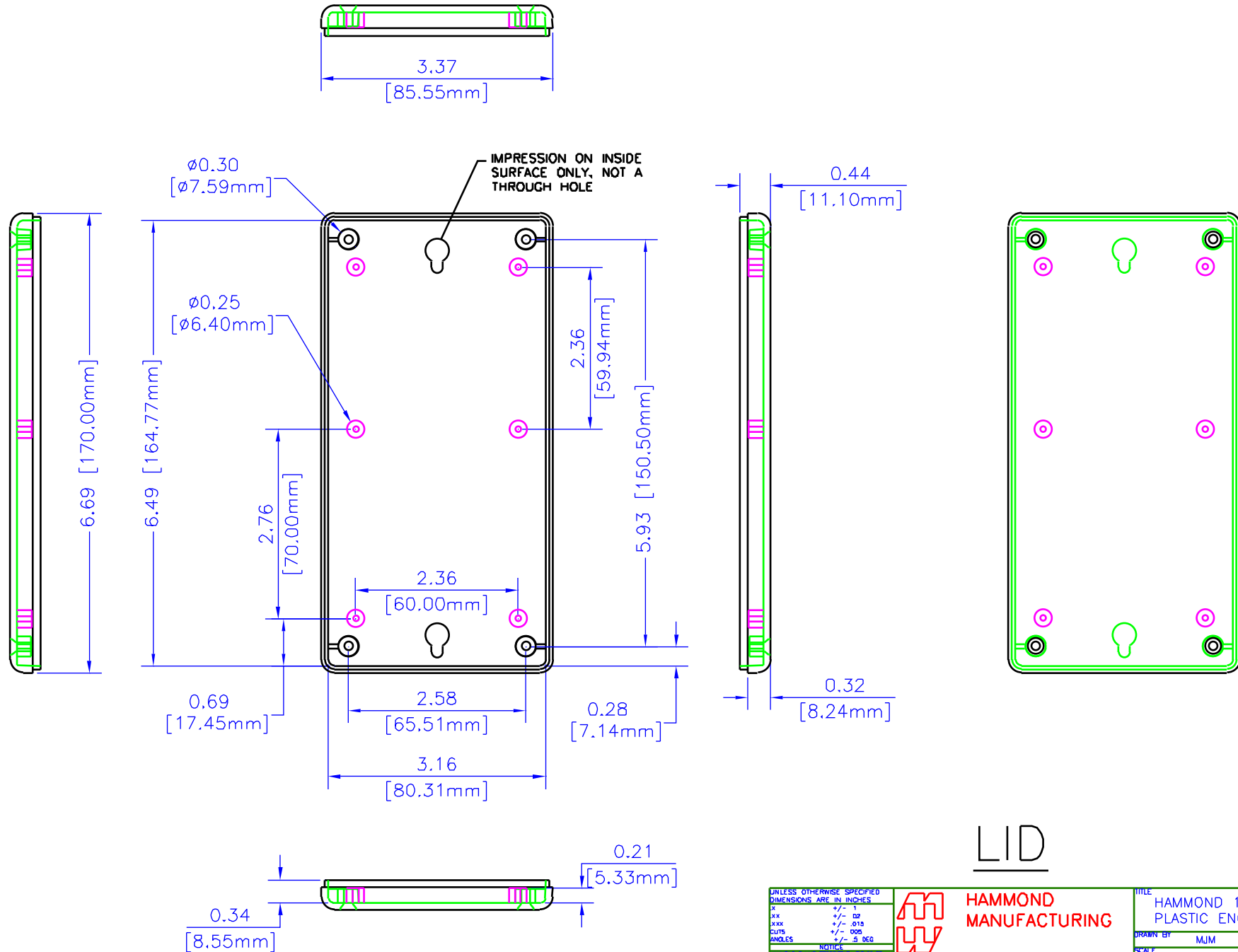


**HAMMOND  
MANUFACTURING**

WEB: [WWW.HAMMONDMFG.COM](http://WWW.HAMMONDMFG.COM)

TITLE		HAMMOND 1599 SERIES PLASTIC ENCLOSURE	
DRAWN BY	MJM	DATE	08/16/01
SCALE		PAGE	2 OF 3
PART NUMBER		1599E	

NOTES



LID

UNLESS OTHERWISE SPECIFIED  
DIMENSIONS ARE IN INCHES  
X +/- .1  
XX +/- .05  
XXX +/- .015  
CHITS +/- .005  
ANGLES +/- .5 DEG

TOLERANCES  
UNLESS OTHERWISE SPECIFIED  
THE MATERIAL IN THIS DRAWING IS  
INTENDED TO BE USED AS A REFERENCE FOR  
ENGINEERING APPROVAL ONLY. THIS  
INFORMATION MAY NOT BE USED TO  
MANUFACTURE PRODUCTS WITHOUT WRITTEN  
PERMISSION FROM HAMMOND MANUFACTURING.



**HAMMOND  
MANUFACTURING**

WEB: WWW.HAMMONDMFG.COM

TITLE		HAMMOND 1599 SERIES PLASTIC ENCLOSURE	
DRAWN BY	MJM	DATE	08/16/01
SCALE		PAGE	3 OF 3
PART NUMBER	1599E		